

NARDI

AGRICULTURE SINCE 1980 **HARVESTING**
TRAILERS



Made in Italy

Pick-up

PICK-UP HARVESTING

PICKUP

Universal, fits to all combine models



PERFECT FITTING

- ▶ Universal and compatible
- ▶ compatible with all models of combine available in the market today.

Standard equipment

MAIN FEATURES

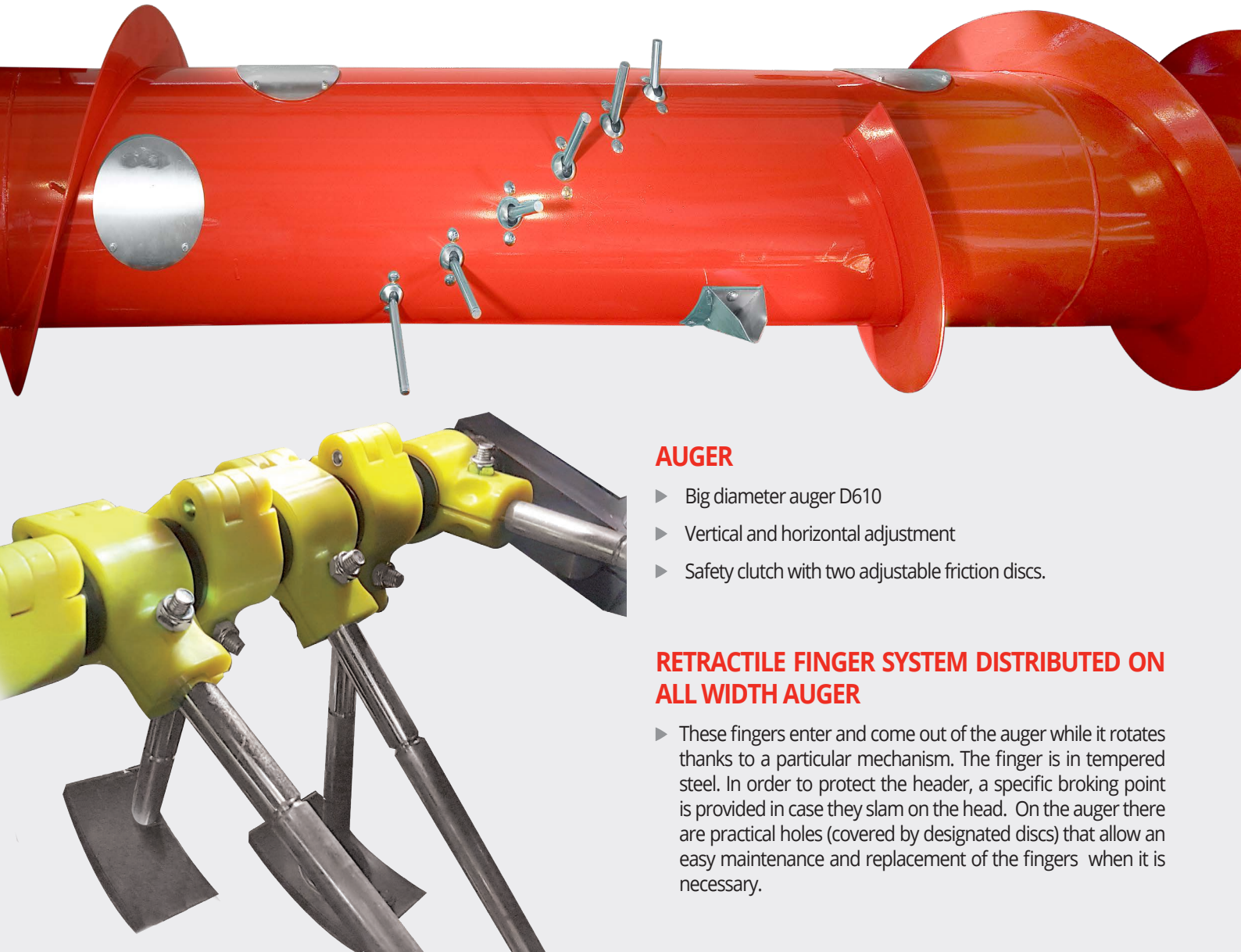
- ▶ With belts with steel picking springs
- ▶ Dragging rollers D127
- ▶ Adjustable and amortized front
- ▶ Variable control belt rotation from the combine where available, or with an independent variable flow system supplied by us.

FRONT SUPPORTING WHEELS

- ▶ Two supporting wheels that are adjustable on height and pivot
- ▶ Adjustable on height and pivoted



PICK-UP HARVESTING



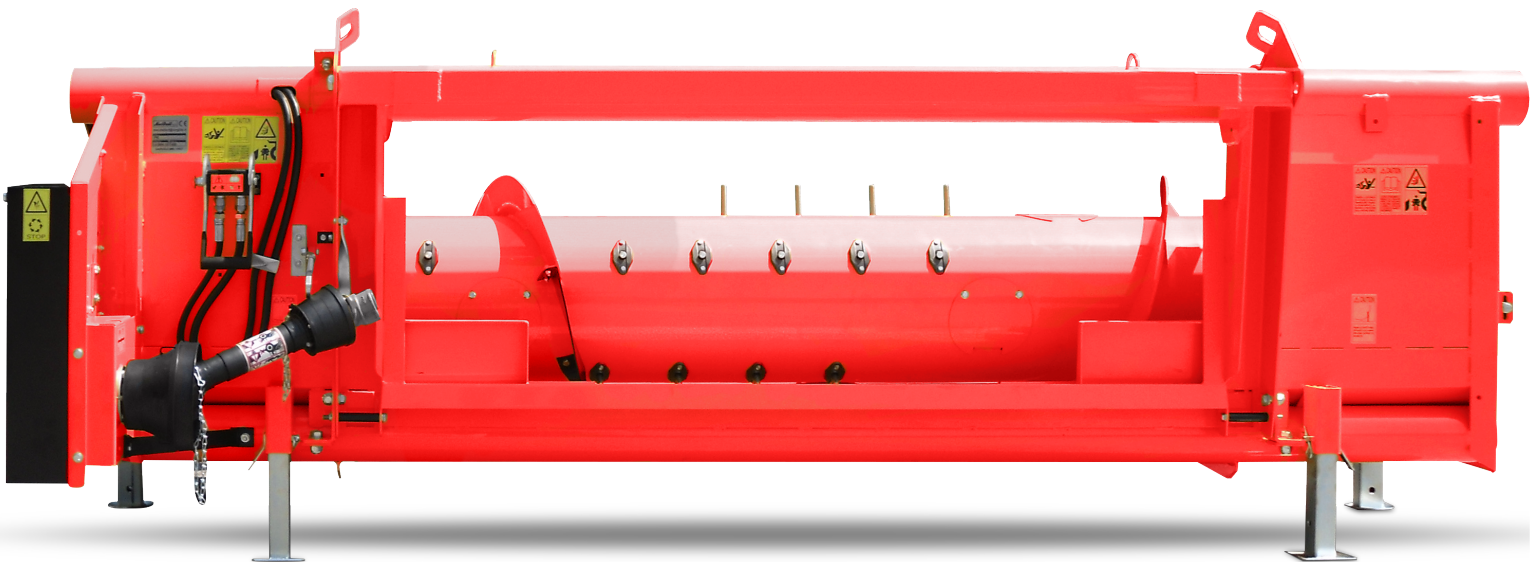
AUGER

- ▶ Big diameter auger D610
- ▶ Vertical and horizontal adjustment
- ▶ Safety clutch with two adjustable friction discs.

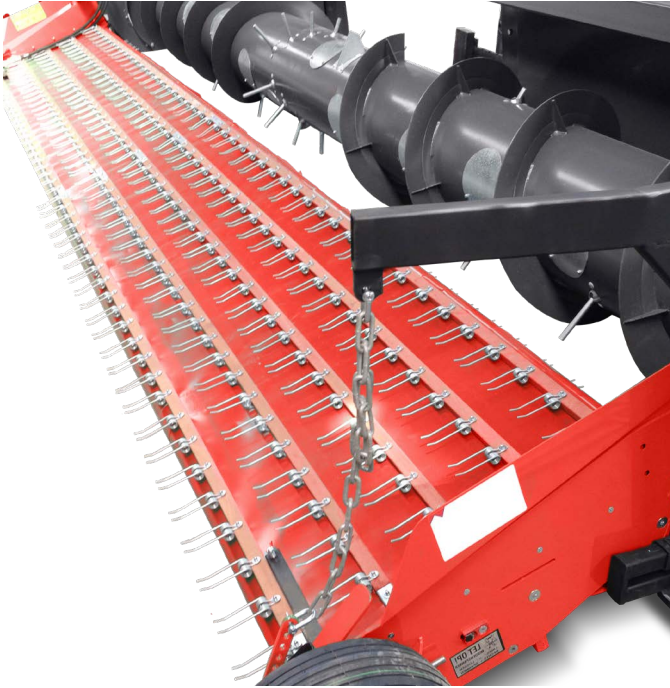
RETRACTILE FINGER SYSTEM DISTRIBUTED ON ALL WIDTH AUGER

- ▶ These fingers enter and come out of the auger while it rotates thanks to a particular mechanism. The finger is in tempered steel. In order to protect the header, a specific broking point is provided in case they slam on the head. On the auger there are practical holes (covered by designated discs) that allow an easy maintenance and replacement of the fingers when it is necessary.

UNIVERSAL HOOKING KIT



Optionals



SINGLE BELT



REAR GRID



SWATH HOLDER WITH MECHANICAL OR HYDRAULIC SETTING OF WORK POSITION

Technical informations



Models

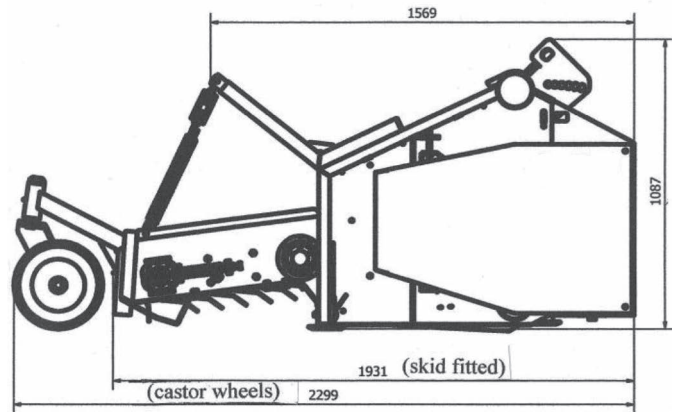
Effective pickup width

Overall Width (skids fitted)

Overall Width (wheels fitted)

Weight

Models	Effective pickup width	Overall Width (skids fitted)	Overall Width (wheels fitted)	Weight
PK 2.5	2500 mm	2815 mm	3030 mm	800 kg
PK 3.0	3000 mm	3315 mm	3480 mm	900 kg
PK 3.0	3000 mm	3040 mm	3250 mm	900 kg
PK 4.0	4000 mm	4330 mm	4430 mm	1050 kg
PK 5.0	5000 mm	5335 mm	5475 mm	1400 kg
PK 5.8	5800 mm	6100 mm	6325 mm	1600 kg



SPARE PARTS AVAILABLE ON STOCK

► By our company, by our importers as well as by our suppliers.

► They are selected to offer durable mechanical products suitable for agriculture market. /

NARDI
AGRICULTURE SINCE 1980

Via del Lavoro 14, 37047 - Z.A. Est San Bonifacio, Verona, Italy
info@nardi-harvesting.com www.nardi-harvesting.com

